

Safety instructions

Important! Before commencing installation work disconnect the main cable from the power supply - remove fuse or turn switch to "OFF"!

1. Installation should be carried out in accordance with the local safety regulations.
2. In order to prevent damage, please check walls for cables before drilling holes.
3. Please ensure that all electrical connections (even preassembled lamps) are screwed tightly or are fully inserted as good contact is essential for a long life-span at high currents. Please check for tight connections after changing or adjusting lamps. Screwed connections must be tightened after 20 minutes.
4. Please do not place objects on your system (e.g. for decorative purposes) if they were not delivered with the system.
5. The lamps get very hot when in use. Please allow lamps to cool down before touching.
6. Do not change lamps or spots when switched on.
7. System should not be enlarged with additional lamps.
8. Use of a dimmer is highly recommended. Dimmer must be compatible with type of light source.
9. To avoid greasy fingerprints it is recommended to wear white cotton gloves when handling visible metal and glass parts.
10. If the external flexible cable or cord of this luminaire is damaged, it shall be exclusively replaced by the manufacturer or his service agent or a similar qualified person in order to avoid a hazard.
11. The glass used for this lamp is hand-blown. Only 1st quality has been chosen. Air bubbles and variations in thickness and colour is normal.
12. We reserve the right to make technical alterations.

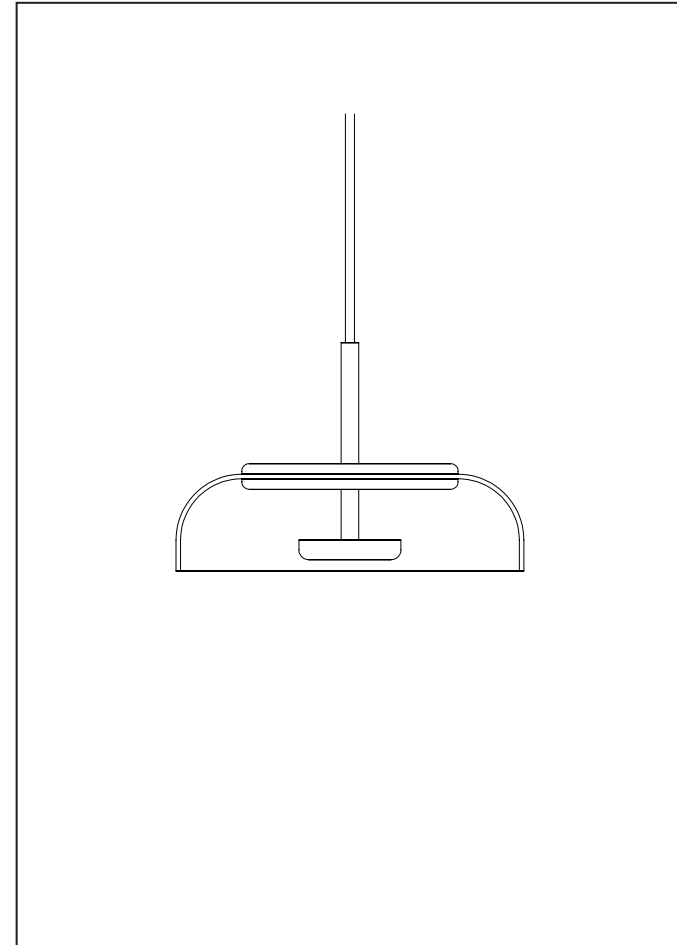
Please keep these instructions.

Fitting: Replaceable LED-module (D60-2835-5C4B-CC-HT)

2023-09-20 EU

Blossi 1

Assembly Instructions



NUURA

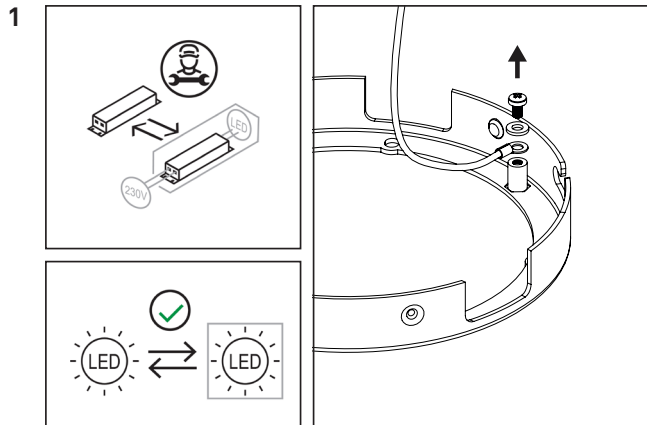
www.nuura.com
info@nuura.com

© 2018 All rights reserved



NUURA

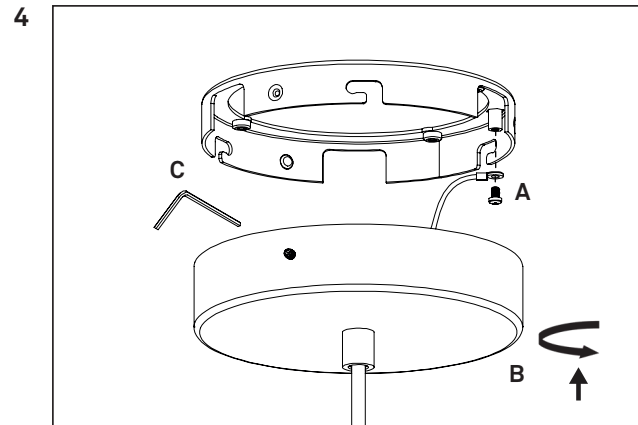
© 2018 All rights reserved



Driver must be replaced by professional.

LED-module replaceable by end-user. Instructions at www.nuura.com

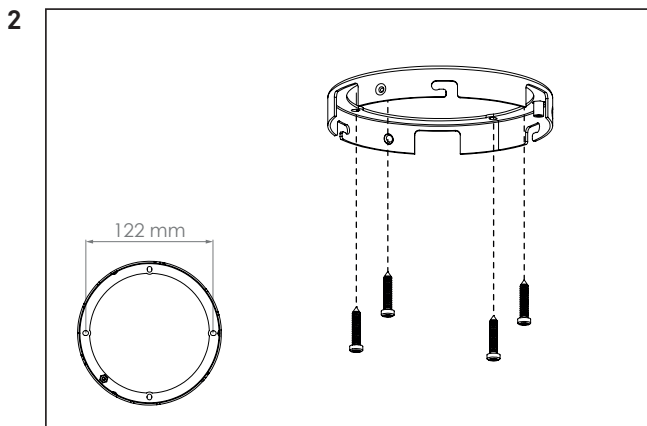
For ease of mounting please unscrew ground connector on mounting bracket.



A: Reattach the ground connection to the mounting bracket.

B: Align the inside pins with the L-shaped cutouts in the mounting bracket and push it towards the ceiling followed by a twist counterclockwise.

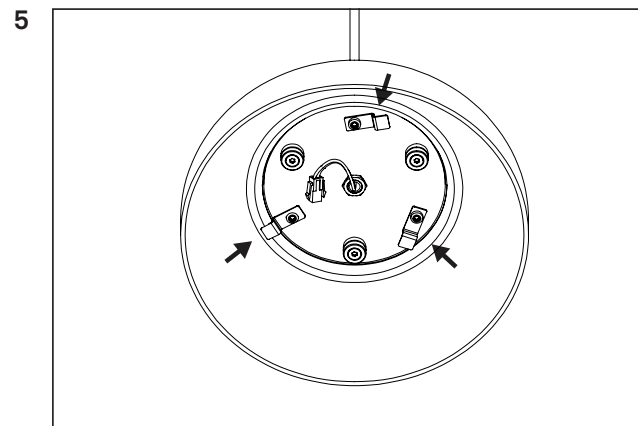
C: Tighten the set screw to secure canopy.



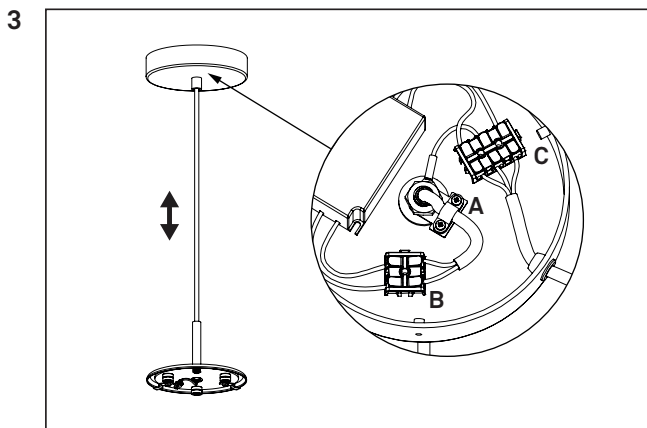
Mount the bracket to the ceiling with screws.

Make sure to use appropriate rawlplugs/anchors for your construction. (Not included.)

Please make sure the bracket is fixated properly.



Place glass on lamp base and turn the plates to hold it in place.

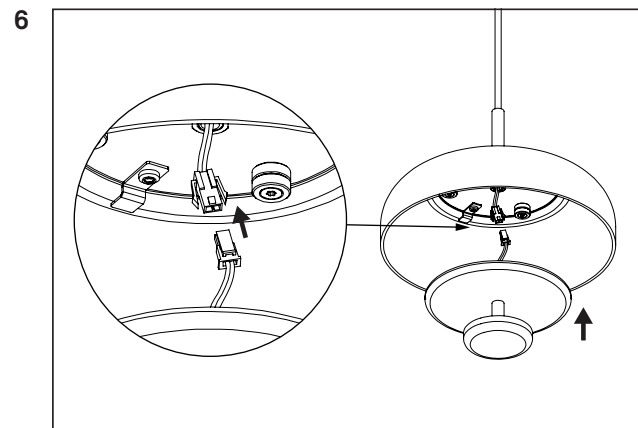


Feed cord through the canopy to adjust the height.

A: Secure the cable with the strain relief.

B: Cut excess of the cable if needed. Connect the wire ends to the 2 pole cable terminal. Match brown with red and blue with black wire.

C: Connect the power cable (230V) to the 3 pole cable terminal. Match the brown wire with "L", the blue wire with "N", and the green/yellow wire with the grounding symbol.



Push connectors together.

Place the LED part over the glass. Magnets will hold it in place.